



Mega-Store, Dubai | United Arab Emirates



Mormon's headquarter , Salt Lake City | USA



Piazza Venezia, Trieste | Italy



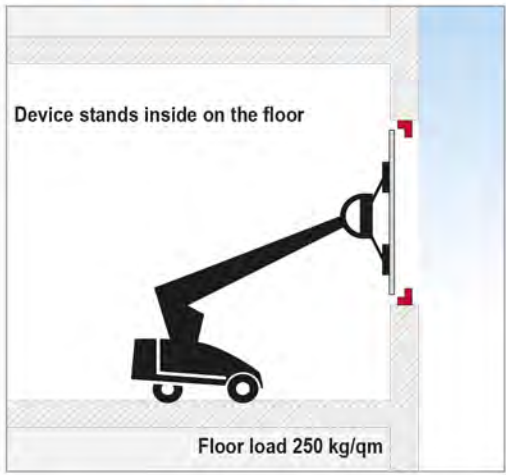
FC Real Madrid headquarter, Madrid | Spain

Heavydrive.com
YOUR TRANSPORT AND LIFTING SPECIALIST

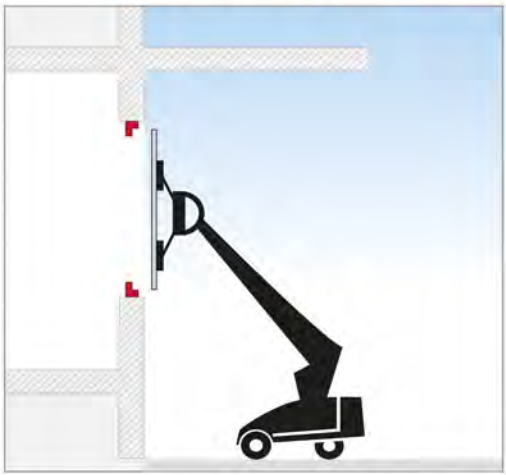
Glass mounting in any dimension

Glass mounting solutions up to 1,000kg panes

Suitable for parapet and window band glazing
of panes weighing up to 600kg
with a GLASS ASSEMBLY DEVICE



OUTDOOR glazing
of panes weighing up to 1,000kg
with a GLASS ASSEMBLY DEVICE

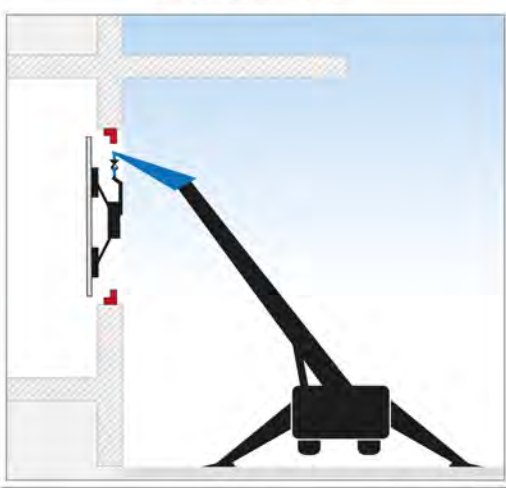


OUTDOOR glazing slanted or Overhead
of panes weighing up to 1,000kg
with a GLASS ASSEMBLY DEVICE

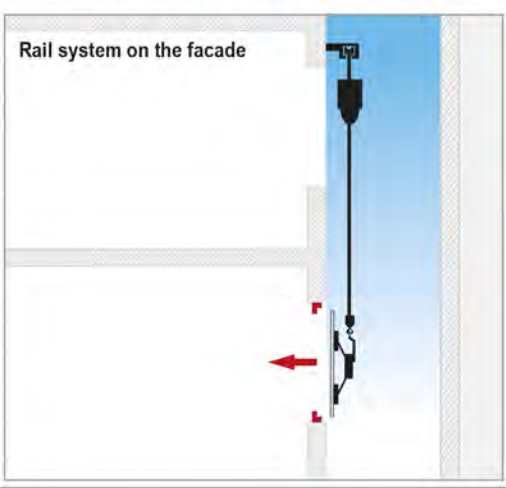


Glass mounting solutions up to 1,500kg panes

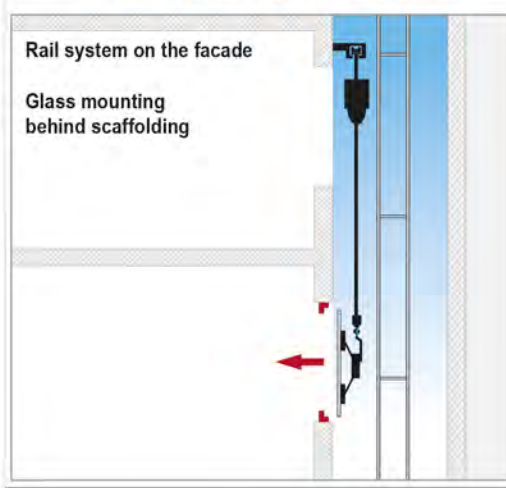
OUTDOOR to INDOOR glazing
of panes weighing up to 1,200kg
with an ASSEMBLY TIP



TOP to BOTTOM mounting
of panes weighing up to 1,500kg with HELM RAILS
and cable length / lifting height up to 30m



TOP to BOTTOM mounting
of panes weighing up to 1,500kg with HELM RAILS
and cable length / lifting height up to 30m

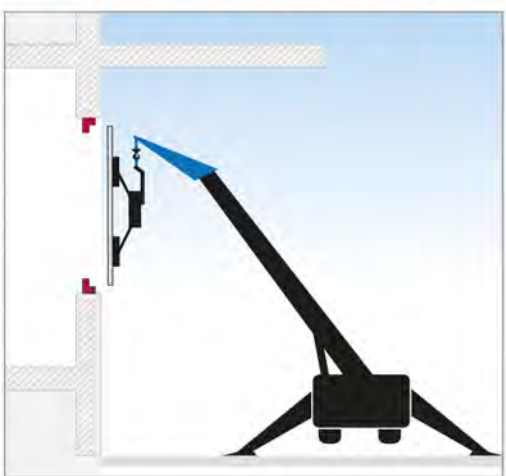


Glass mounting solutions up to 10to panes

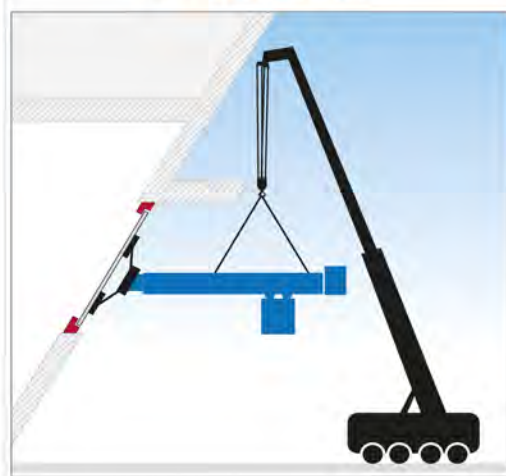
OUTDOOR glazing slanted or Overhead
of panes weighing up to 2,500kg
with a MANIPULATOR



OUTDOOR glazing
of panes weighing up to 10,000kg
with ASSEMBLY CRANE & ASSEMBLY TIP

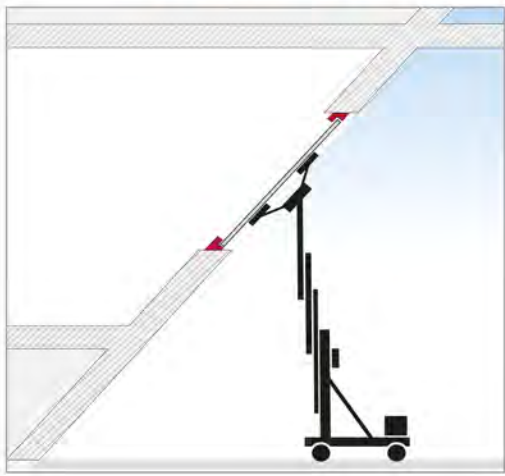


OUTDOOR glazing
of panes weighing up to 10,000kg
with a COUNTER WEIGHT

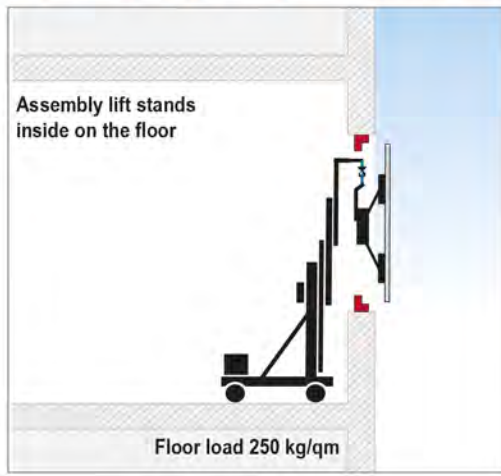


Glass mounting solutions up to 450kg panes

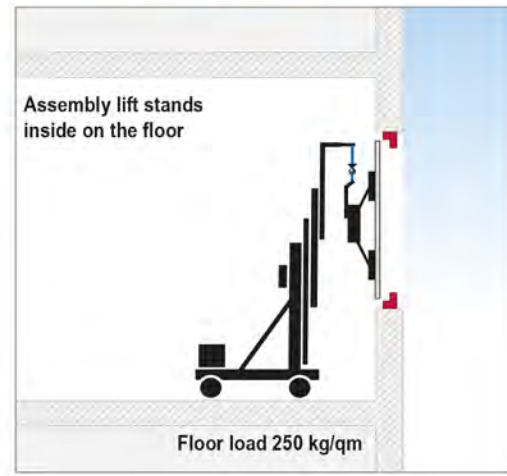
OUTDOOR glazing slanted or Overhead
of panes weighing up to 300kg
with a **ASSEMBLY LIFT**



INDOOR to OUTDOOR glazing
(for parapet and window bands)
of panes weighing up to 450kg with an **ASSEMBLY LIFT**

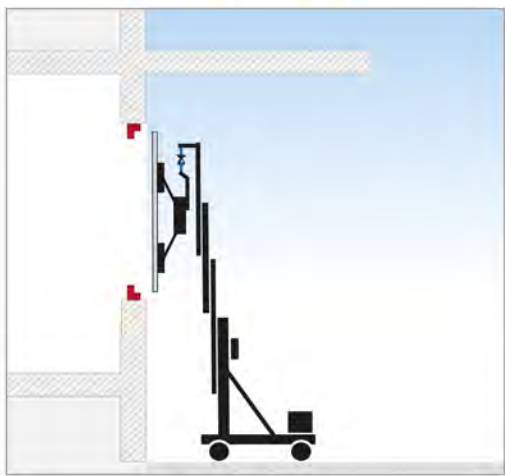


Parapet and window band / INDOOR glazing
of panes weighing up to 450kg
with an **ASSEMBLY LIFT**

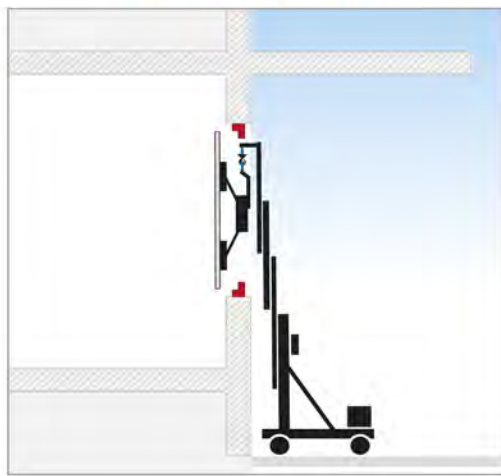


Glass mounting solutions up to 450kg panes

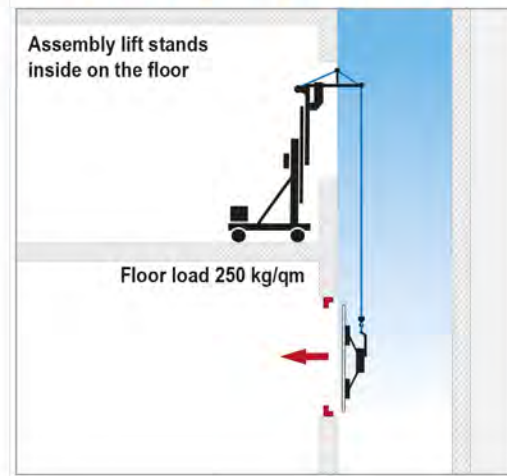
OUTDOOR glazing
of panes weighing up to 450kg
with a **ASSEMBLY LIFT**



OUTDOOR to INDOOR glazing
of panes weighing up to 450kg
with an **ASSEMBLY LIFT**

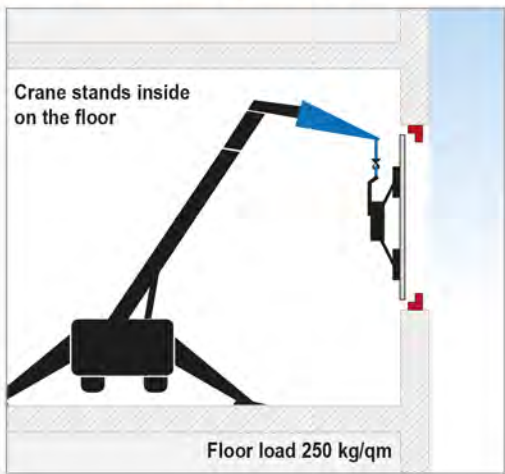


TOP to BOTTOM mounting
of panes weighing up to 450kg with **ASSEMBLY LIFT**
and cable length / lifting height up to 32m

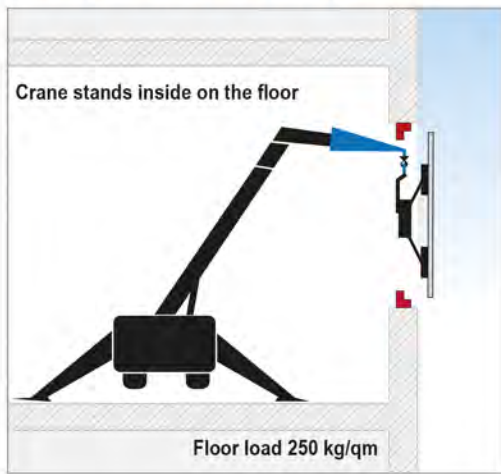


Glass mounting solutions up to 1,000kg panes

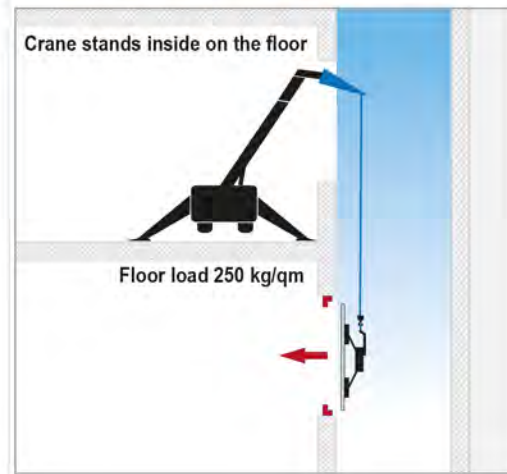
INDOOR glazing
of panes weighing up to 600kg
with a **MINI CRAWLER CRANE** and an **ASSEMBLY TIP**



INDOOR to OUTDOOR glazing
of panes weighing up to 600kg
with a **mini crawler crane** and an **ASSEMBLY TIP**

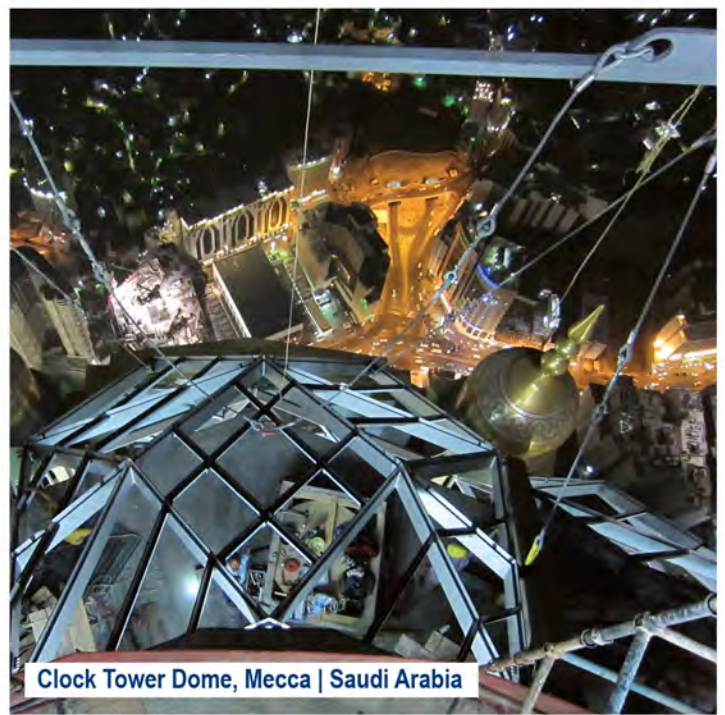


TOP to BOTTOM glazing
of panes weighing up to 600kg with **ASSEMBLY CRANE**
and cable length / lifting height up to 86m

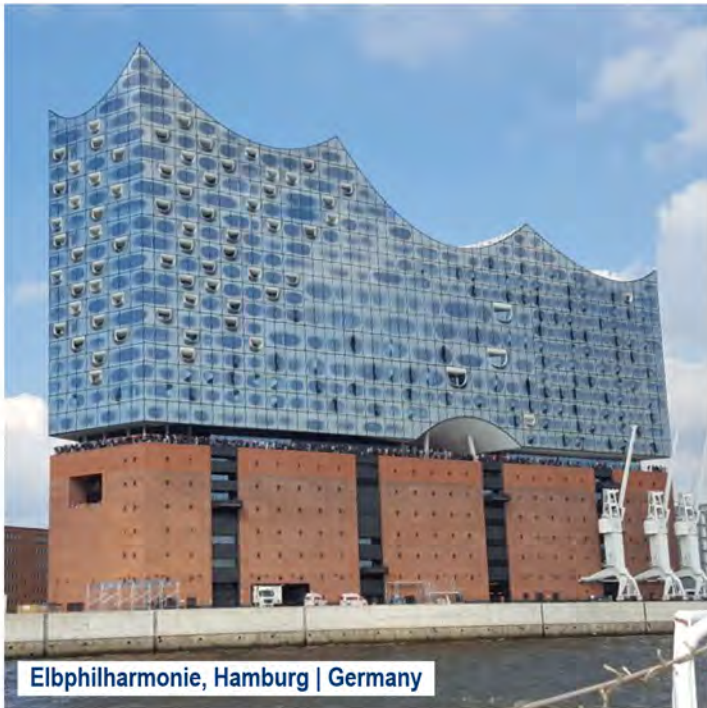




Lakhta Tower, St. Petersburg | Russia



Clock Tower Dome, Mecca | Saudi Arabia



Elbphilharmonie, Hamburg | Germany



Flight Chamber, near Munich | Germany

Heavydrive[®].com

YOUR TRANSPORT AND LIFTING SPECIALIST


Heavydrive GmbH
 Headquarter with stock and management
 Hoesslerstr. 9 • D – 86660 Tapfheim – Germany
 Phone: +49 9070 96 8 96 90 - 0
 Fax: +49 9070 96 8 96 90 - 9
 E-Mail: sales@heavydrive.com


Heavydrive GmbH
 Branch Switzerland
 Grubenstrasse 7 A
 CH – 3322 Urtenen – Schoenbuehl
 Phone: +41 31 552018 – 0
 Fax: +41 31 552018 – 4
 E-Mail: info@heavydrive.ch


Heavydrive LLC
 Subsidiary USA
 3414 Peachtree Road NE
 Suite 1600
 Atlanta, Georgia 30326 – USA
 phone: +1 305 690 - 2142
 E-Mail: info@heavydrive.us


Heavydrive GmbH
 Subsidiary Dubai
 P.O. Box. 16477
 Dubai / Ras Al Khaimah
 UAE
 E-Mail: info@heavydrive.ae



Your partner for extreme, large-scale glass mounting projects worldwide